

SAS *Youth Camp and Emergency Relief Shelters*

*The Original with the
casted aluminium connection*



at disasters, help missions, events, tournaments, camps...





Tent-Type SAS 24

Frame:		Ground Area m ²	24
6 Tubes 2,44m		Cover Weight kg	31
6 Tubes 1,94m		Frame Weight kg	35
6 Tubes 1,73m		Total Weight kg	66
6 3-Way Couplings		Longest part cm	244
3 4-Way Couplings			
6 Foot Plates			



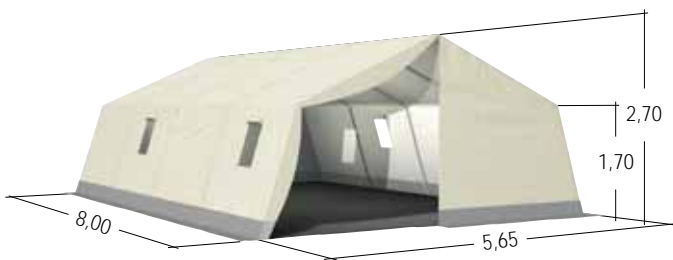
Tent-Type SAS 35

Frame:		Ground Area m ²	35
8 Tubes 2,44m		Cover Weight kg	45
17 Tubes 1,94m		Frame Weight kg	45
6 3-Way Couplings		Total Weight kg	90
6 4-Way Couplings		Longest part cm	244
8 Foot Plates			



Tent-Type SAS 34

Frame:		Ground Area m ²	34
8 Tubes 2,44m		Cover Weight kg	39
9 Tubes 1,94m		Frame Weight kg	46
8 Tubes 1,73m		Total Weight kg	85
6 3-Way Couplings		Longest part cm	244
6 4-Way Couplings			
8 Foot Plates			



Tent-Type SAS 45

Frame:		Ground Area m ²	45
10 Tubes 2,44m		Cover Weight kg	53
12 Tubes 1,94m		Frame Weight kg	58
10 Tubes 1,73m		Total Weight kg	111
6 3-Way Couplings		Longest part cm	244
9 4-Way Couplings			
10 Foot Plates			



Tent-Type SAS 56

Frame:		Ground Area m ²	57
12 Tubes 2,44m		Cover Weight kg	64
15 Tubes 1,94m		Frame Weight kg	72
12 Tubes 1,73m		Total Weight kg	136
6 3-Way Couplings		Longest part cm	244
12 4-Way Couplings			
12 Foot Plates			

Frames:

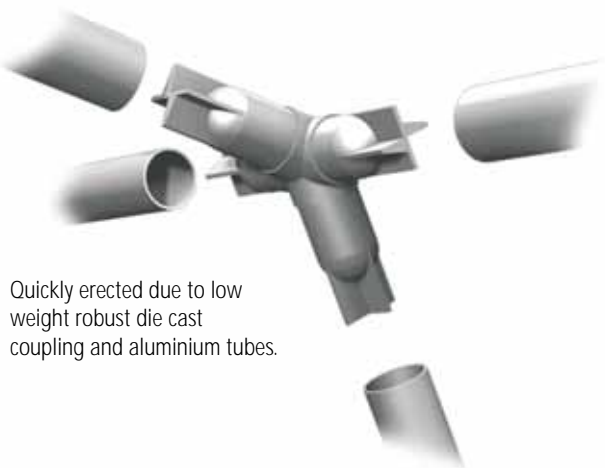
Aluminium tubing 40 x 1,5 mm; die cast coupling.

Covering:

Cottonpolyester, 50% cotton / 50% polyester, 420g/m², both gables separate, 2 entrances, PVC with mud flaps.

Extras:

Packing bags for covering, frame and extras are included. Floor and separation walls are available.



Quickly erected due to low weight robust die cast coupling and aluminium tubes.



ORDER FOR YOUTH CAMP AND EMERGENCY RELIEF SHELTERS

direct by FAX: 0 60 49 / 700-505 RÖDER Zelt- und Veranstaltungsservice GmbH

invoice address:

.....
 company

 contact person

 street

 CIP - city

 phone

 fax

 e-mail

delivery address:

.....
 company

 contact person

 street

 CIP - city

 phone

 fax

 e-mail

- We have further questions on shelters; please call us back.
 We have questions for big tents and/or party tents; please call us.
 Order as follows:

tent-type	price in EUR/each	amount	sum total
SAS 24, 4,75m x 5m (BxL), incl. 2 windows	996,-	<input type="text"/>	<input type="text"/>
floor covering, PVC for SAS 24	181,-	<input type="text"/>	<input type="text"/>
SAS 34, 5,65m x 6m (BxL), incl. 2 windows	1.249,-	<input type="text"/>	<input type="text"/>
floor covering, PVC for SAS 34	253,-	<input type="text"/>	<input type="text"/>
SAS 35, 5,90m x 6m (BxL), incl. 2 windows	1.298,-	<input type="text"/>	<input type="text"/>
floor covering, PVC for SAS 35	253,-	<input type="text"/>	<input type="text"/>
SAS 45, 5,65m x 8m (BxL), incl. 4 windows	1.469,-	<input type="text"/>	<input type="text"/>
floor covering, PVC for SAS 45	331,-	<input type="text"/>	<input type="text"/>
SAS 56, 5,65m x 10m (BxL), incl. 4 windows	1.649,-	<input type="text"/>	<input type="text"/>
floor covering, PVC for SAS 56	408,-	<input type="text"/>	<input type="text"/>
partition wall, undivided	234,-	<input type="text"/>	<input type="text"/>
packing bag for floor covering	36,-	<input type="text"/>	<input type="text"/>

sum total in EUR: _____

frames: aluminium tubing 40mm x 1,5mm; coupling cast steel.

covering: cottonpolyester 50%/50%, 420 g/m². Both gables separate, 2 entrances. PVC-covering at enquiry.

included: packing bags for frame, covering and extras.

delivery terms:

ex works Büdingen-Wolferborn/Germany

date of dispatch:

.....
 date / signature



ORDER FOR SAS SHELTER SPARE PARTS

direct by FAX: +49 (0) 60 49 / 700-505 RÖDER Zelt- und Veranstaltungsservice GmbH

invoice address:

.....
company

.....
contact person

.....
street

.....
CIP - city

.....
phone

.....
fax

.....
e-mail

delivery address:

.....
company

.....
contact person

.....
street

.....
CIP - city

.....
phone

.....
fax

.....
e-mail

- We have further questions on shelters; please call us back.
- We have questions for big tents and/or party tents; please call us.

Order for spare parts as follows:

	EUR/each	amount	sum total
frame SAS 24	285,-	<input type="text"/>	<input type="text"/>
frame SAS 34	386,-	<input type="text"/>	<input type="text"/>
frame SAS 35	392,-	<input type="text"/>	<input type="text"/>
frame SAS 45	488,-	<input type="text"/>	<input type="text"/>
frame SAS 56	589,-	<input type="text"/>	<input type="text"/>
tube , 2,44 m	20,-	<input type="text"/>	<input type="text"/>
tube , 1,94 m	16,-	<input type="text"/>	<input type="text"/>
couplings , 3-ways	18,-	<input type="text"/>	<input type="text"/>
couplings , 4-ways	21,-	<input type="text"/>	<input type="text"/>
leg , 1,73 m with foot plates	40,-	<input type="text"/>	<input type="text"/>
leg , 1,94 m für SAS 35, with foot plates	42,-	<input type="text"/>	<input type="text"/>
earth anchor	3,-	<input type="text"/>	<input type="text"/>

sum total 1: EUR _____

	EUR/each	amount	sum total
covering SAS 24	739,-	<input type="text"/>	<input type="text"/>
covering SAS 34	911,-	<input type="text"/>	<input type="text"/>
covering SAS 35	945,-	<input type="text"/>	<input type="text"/>
covering SAS 45	1.031,-	<input type="text"/>	<input type="text"/>
covering SAS 56	1.169,-	<input type="text"/>	<input type="text"/>

PVC-covering at enquiry.

packing bag , for frames (all types)	88,-	<input type="text"/>	<input type="text"/>
packing bag , for covering (all types)	72,-	<input type="text"/>	<input type="text"/>
packing bag , for accessories (all types)	27,-	<input type="text"/>	<input type="text"/>
packing bag , for floor covering (all types)	36,-	<input type="text"/>	<input type="text"/>

sum total 2: EUR _____

invoice total: EUR _____

delivery terms:

ex works Büdingen-Wolferborn/Germany

date of dispatch:

.....
date / signature

